



# MEMBRANBIOREACTOR FOR WASTEWATER TREATMENT

REZI, HUNGARY

# Rezi, Hungary, 2012, 200 m<sup>3</sup>/d

## Aim of the project

Plant is designed for the removal of BOD<sub>5</sub>, TSS and Ammonia in domestic sewage.

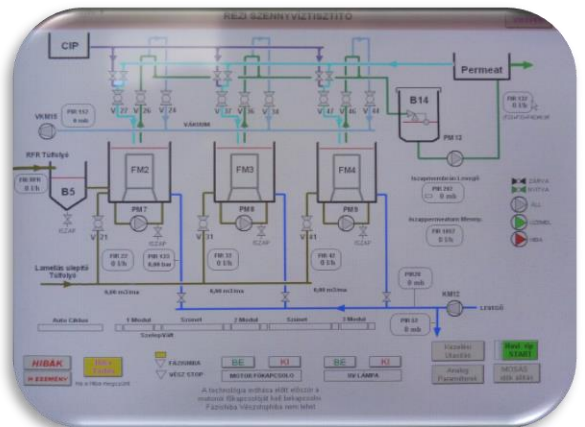
Rezi located in a National Park where are high quality discharge required. The effluent produced exceeds the discharge requirement and provides high quality reuse water.

The treatment system consists of 3 basin membrane systems. Chemical feed systems were added for pH control and for phosphorus precipitation.

After the installation was complete, and the system was seeded with sludge, the plant was able to meet discharge requirements relatively quickly.

## Plant specs

|                           | Outlet |
|---------------------------|--------|
| BOD (mg/l)                | <5     |
| COD (mg/l)                | <25    |
| TN (mg/l)                 | <15    |
| NH <sub>4</sub> -N (mg/l) | <1     |
| Turbidity (NTU)           | <0.1   |
| TSS (mg/l)                | <5     |



## KONTAKT

8595 Altnau  
Switzerland  
+41 78 21 94 199  
info@greentech-ut.ch  
www.greentech-ut.ch

